



5L40E

ACCUMULATOR SPECIFICATIONS & ID

COMPLAINT: Shift feel complaints and possible clutch pack burn-up.

CAUSE: Accumulator component mis-assembly.

CORRECTION: There are four accumulator assemblies on the valve body of a 5L40E and there are also many combinations, it is also possible to have an accumulator assembly with the same casting number on the housing located in different positions on the valve body, (Refer to Figure 1). GM and BMW do not supply accumulator specifications because they do not sell any accumulator components separately.

The diameter of the accumulator piston can also vary as well as accumulator spring dimensions. The variations are different from one model year to another as well as make and model.

The illustration in Figure 2 provides measurements, accumulator housing casting numbers and model year date location which is crucial to correct accumulator placement and assembly. The spacer plate identification number is also in the equation, the location of which is seen in Figure 3.

The charts in Figures 4 to 22 indicate vehicle make, year of manufacture, accumulator piston and spring specifications and locations as well as the related housing casting numbers and spacer plate ID numbers.

NOTE: There are accumulator assembly combinations that are not covered here, exercise caution when disassembling them as they may be different than what is listed here.

A special thanks to Jeff Parlee of Valve Body Express for his assistance in the compilation of this material.

Many thanks to Paul Tinges of Hardparts For Transmissions for his assistance in the compilation of this material.

5L40E

ACCUMULATOR SPECIFICATIONS & ID

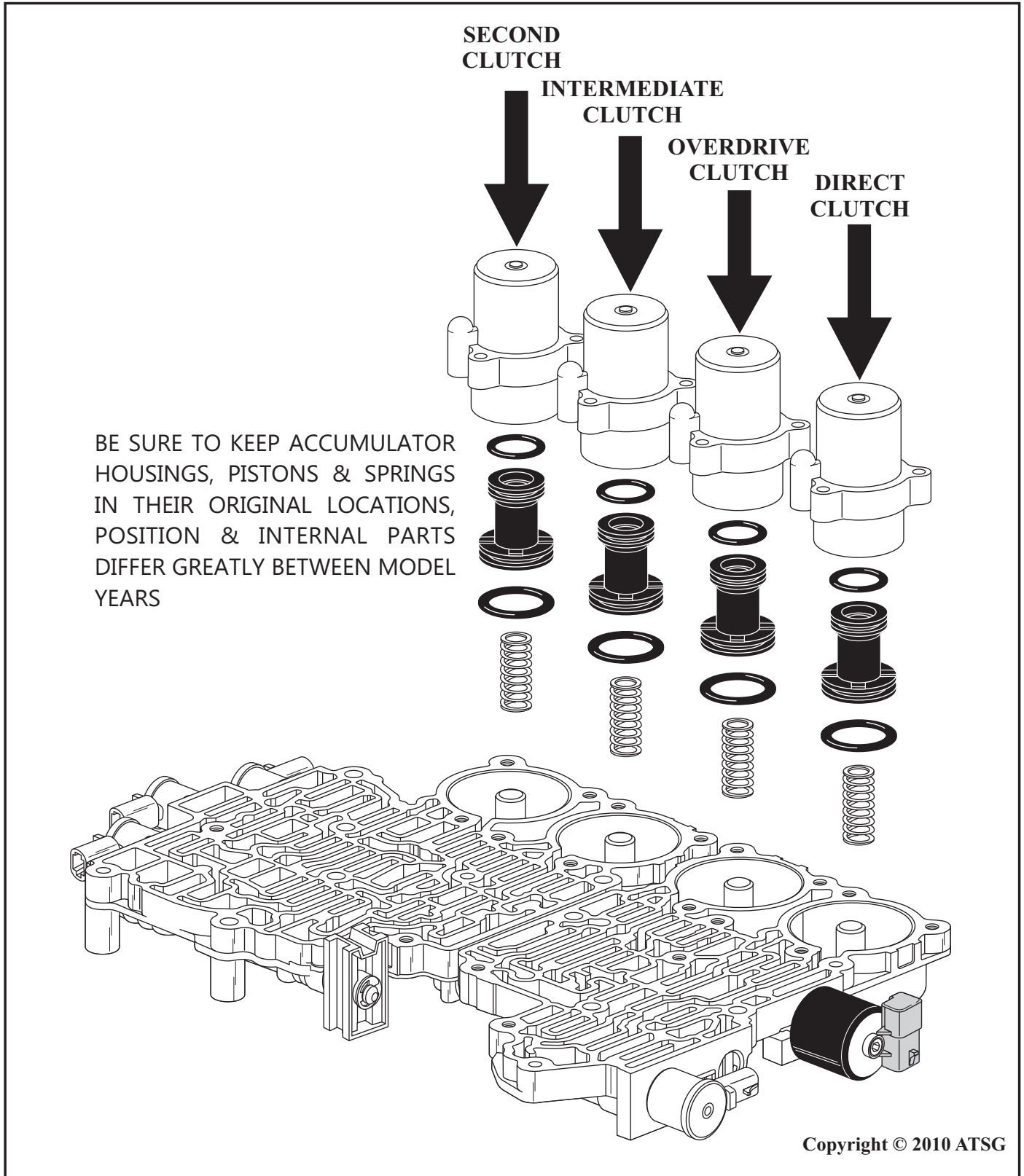


Figure 1



Technical Service Information

5L40E

ACCUMULATOR SPECIFICATIONS & ID

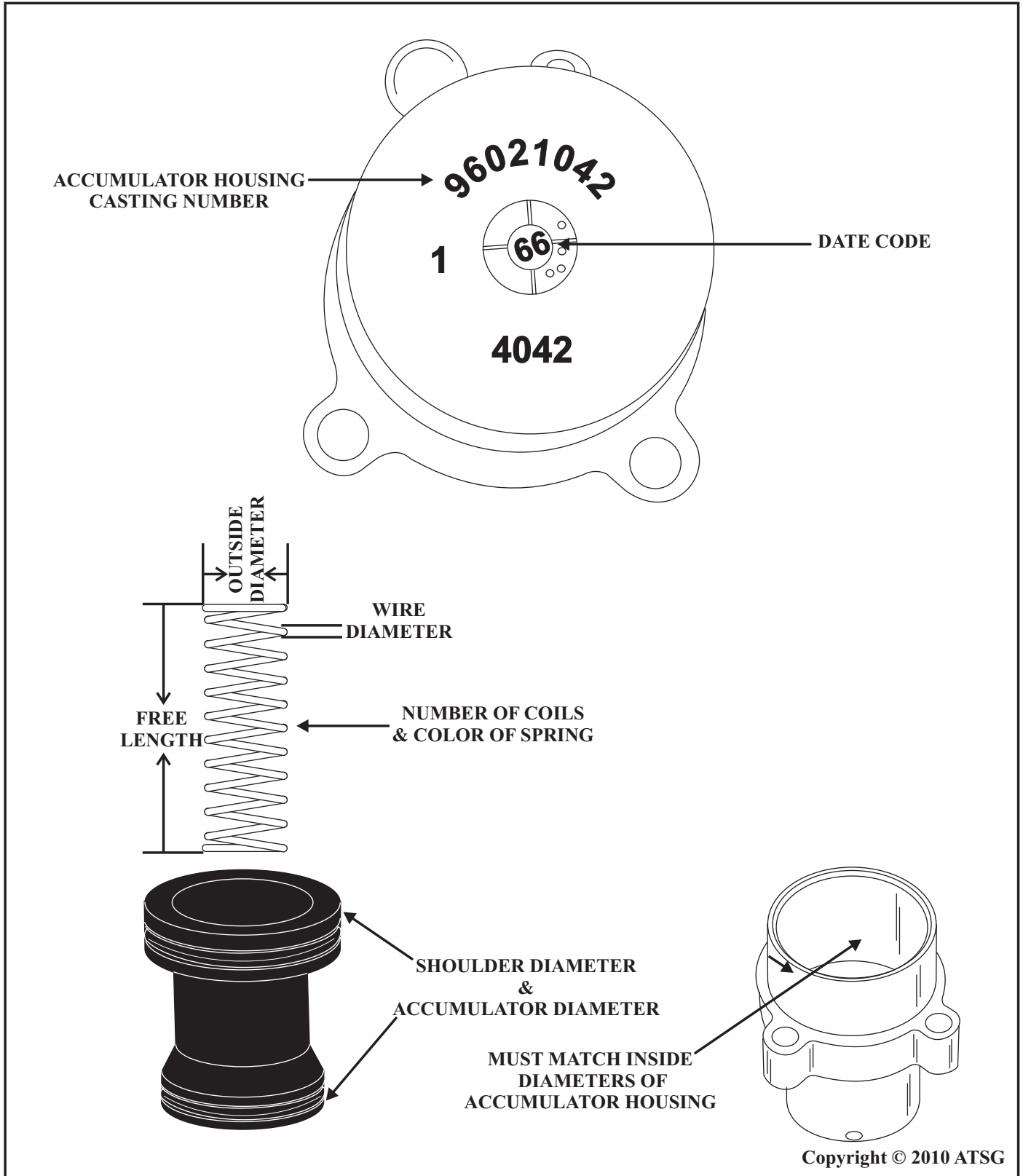
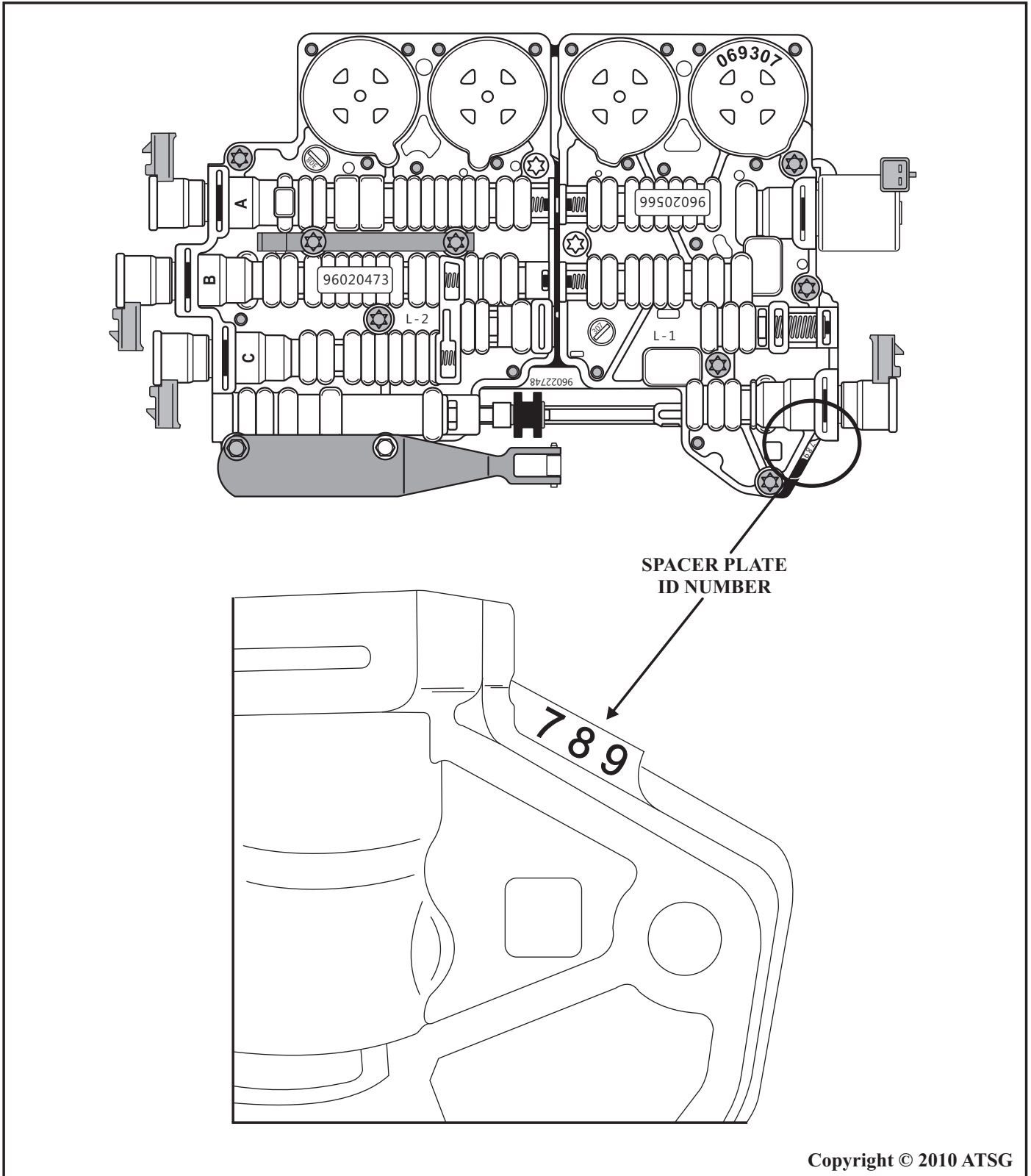


Figure 2

5L40E

ACCUMULATOR SPECIFICATIONS & ID



Copyright © 2010 ATSG

Figure 3



Technical Service Information

5L40E

ACCUMULATOR SPECIFICATIONS & ID

5L40E ACCUMULATOR ASSEMBLY IDENTIFICATION CHART				
2002 CADILLAC				
COMPONENT SPECIFICATIONS	DIRECT CLUTCH ACCUMULATOR HOUSING # 96021042	OVERDRIVE CLUTCH ACCUMULATOR HOUSING # 96022005	INTERMEDIATE CLUTCH ACCUMULATOR HOUSING # 96020762	SECOND CLUTCH ACCUMULATOR HOUSING # 96020762
PISTON SHOULDER DIAMETER	1.654" (42.01MM)	1.654" (42.01MM)	1.654" (42.01MM)	1.654" (42.01MM)
PISTON ACCUM. DIAMETER	1.340" (34.04MM)	1.418" (36.02MM)	1.280" (32.51MM)	1.280" (32.51MM)
SPRING FREE LENGTH	2.250" (57.15MM)	2.335" (59.31MM)	2.335" (59.31MM)	2.380" (60.45MM)
SPRING OUTSIDE DIAMETER	0.734" (18.64MM)	0.734" (18.64MM)	0.734" (18.64MM)	0.734" (18.64MM)
SPRING WIRE DIAMETER	0.093" (2.362MM)	0.083" (2.108MM)	0.083" (2.108MM)	0.095" (2.413MM)
NUMBER OF COILS COLOR OF SPRING	11 GREEN	10 ORANGE	10 ORANGE	11 PLAIN
SPACER PLATE ID NUMBER	378			

Figure 4

5L40E ACCUMULATOR ASSEMBLY IDENTIFICATION CHART				
2003 CADILLAC				
COMPONENT SPECIFICATIONS	DIRECT CLUTCH ACCUMULATOR HOUSING # 96021042	OVERDRIVE CLUTCH ACCUMULATOR HOUSING # 96022005	INTERMEDIATE CLUTCH ACCUMULATOR HOUSING # 96020762	SECOND CLUTCH ACCUMULATOR HOUSING # 96020762
PISTON SHOULDER DIAMETER	1.654" (42.01MM)	1.654" (42.01MM)	1.654" (42.01MM)	1.654" (42.01MM)
PISTON ACCUM. DIAMETER	1.340" (34.04MM)	1.418" (36.02MM)	1.280" (32.51MM)	1.280" (32.51MM)
SPRING FREE LENGTH	2.236" (56.79MM)	2.335" (59.31MM)	2.335" (59.31MM)	2.370" (60.20MM)
SPRING OUTSIDE DIAMETER	0.734" (18.64MM)	0.734" (18.64MM)	0.734" (18.64MM)	0.734" (18.64MM)
SPRING WIRE DIAMETER	0.090" (2.286MM)	0.082" (2.083MM)	0.082" (2.083MM)	0.093" (2.362MM)
NUMBER OF COILS COLOR OF SPRING	10 GREEN	10 ORANGE	10 ORANGE	10.5 PLAIN
SPACER PLATE ID NUMBER	378			

Figure 5

Copyright © 2010 ATSG



Technical Service Information

5L40E

ACCUMULATOR SPECIFICATIONS & ID

5L40E ACCUMULATOR ASSEMBLY IDENTIFICATION CHART				
2003 CADILLAC				
COMPONENT SPECIFICATIONS	DIRECT CLUTCH ACCUMULATOR HOUSING # 96021042	OVERDRIVE CLUTCH ACCUMULATOR HOUSING # 96022005	INTERMEDIATE CLUTCH ACCUMULATOR HOUSING # 96020762	SECOND CLUTCH ACCUMULATOR HOUSING # 96020762
PISTON SHOULDER DIAMETER	1.654" (42.01MM)	1.654" (42.01MM)	1.654" (42.01MM)	1.654" (42.01MM)
PISTON ACCUM. DIAMETER	1.340" (34.04MM)	1.418" (36.02MM)	1.280" (32.51MM)	1.280" (32.51MM)
SPRING FREE LENGTH	2.235" (59.31MM)	2.300" (58.42MM)	2.300" (58.42MM)	2.370" (60.20MM)
SPRING OUTSIDE DIAMETER	0.734" (18.64MM)	0.734" (18.64MM)	0.734" (18.64MM)	0.734" (18.64MM)
SPRING WIRE DIAMETER	0.095" (2.413MM)	0.083" (2.108MM)	0.083" (2.108MM)	0.095" (2.413MM)
NUMBER OF COILS COLOR OF SPRING	10 PLAIN	9.5 ORANGE	9.5 ORANGE	10.5 PLAIN
SPACER PLATE ID NUMBER	378			

Figure 6

5L40E ACCUMULATOR ASSEMBLY IDENTIFICATION CHART				
2003 UNKNOWN VEHICLE				
COMPONENT SPECIFICATIONS	DIRECT CLUTCH ACCUMULATOR HOUSING # 96021042	OVERDRIVE CLUTCH ACCUMULATOR HOUSING # 96022005	INTERMEDIATE CLUTCH ACCUMULATOR HOUSING # 96021042	SECOND CLUTCH ACCUMULATOR HOUSING # 96020761
PISTON SHOULDER DIAMETER	1.654" (42.01MM)	1.654" (42.01MM)	1.654" (42.01MM)	1.654" (42.01MM)
PISTON ACCUM. DIAMETER	1.340" (34.04MM)	1.418" (36.02MM)	1.340" (34.04MM)	1.173" (29.79MM)
SPRING FREE LENGTH	2.235" (59.31MM)	2.350" (59.69MM)	2.335" (59.31MM)	2.565" (65.15MM)
SPRING OUTSIDE DIAMETER	0.732" (18.59MM)	0.730" (18.54MM)	0.733" (18.62MM)	0.732" (18.59MM)
SPRING WIRE DIAMETER	0.090" (2.286MM)	0.081" (2.083MM)	0.090" (2.286MM)	0.093" (2.362MM)
NUMBER OF COILS COLOR OF SPRING	10 PLAIN	10 ORANGE	10 BLUE	10 BLUE
SPACER PLATE ID NUMBER	378			

Figure 7

Copyright © 2010 ATSG



Technical Service Information

5L40E

ACCUMULATOR SPECIFICATIONS & ID

5L40E ACCUMULATOR ASSEMBLY IDENTIFICATION CHART				
2003 CADILLAC				
COMPONENT SPECIFICATIONS	DIRECT CLUTCH ACCUMULATOR HOUSING # 96020762	OVERDRIVE CLUTCH ACCUMULATOR HOUSING # 96020762	INTERMEDIATE CLUTCH ACCUMULATOR HOUSING # 96020761	SECOND CLUTCH ACCUMULATOR HOUSING # 96023532
PISTON SHOULDER DIAMETER	1.654" (42.01MM)	1.654" (42.01MM)	1.654" (42.01MM)	1.654" (42.01MM)
PISTON ACCUM. DIAMETER	1.281" (32.54MM)	1.281" (32.54MM)	1.173" (29.79MM)	1.281" (32.54MM)
SPRING FREE LENGTH	2.410" (61.21MM)	2.220" (56.39MM)	2.410" (61.21MM)	INNER-1.611" (40.92MM) OUTER-2.650" (67.31MM)
SPRING OUTSIDE DIAMETER	0.737" (18.72MM)	0.735" (18.67MM)	0.737" (18.72MM)	INNER-.473" (12.01MM) OUTER-.737" (18.72MM)
SPRING WIRE DIAMETER	0.093" (2.362MM)	0.089" (2.261MM)	0.093" (2.362MM)	INNER-.088" (2.235MM) OUTER-.088" (2.235MM)
NUMBER OF COILS COLOR OF SPRING	10.5 PLAIN	10 WHITE	10.5 PLAIN	INNER-6 PLAIN OUTER-9 WHITE
SPACER PLATE ID NUMBER	374			

Figure 8

5L40E ACCUMULATOR ASSEMBLY IDENTIFICATION CHART				
2004 CADILLAC				
COMPONENT SPECIFICATIONS	DIRECT CLUTCH ACCUMULATOR HOUSING # 96021042	OVERDRIVE CLUTCH ACCUMULATOR HOUSING # 96022005	INTERMEDIATE CLUTCH ACCUMULATOR HOUSING # 96021042	SECOND CLUTCH ACCUMULATOR HOUSING # 96020761
PISTON SHOULDER DIAMETER	1.654" (42.01MM)	1.654" (42.01MM)	1.654" (42.01MM)	1.654" (42.01MM)
PISTON ACCUM. DIAMETER	1.340" (34.04MM)	1.418" (36.02MM)	1.340" (34.04MM)	1.173" (29.79MM)
SPRING FREE LENGTH	2.228" (56.59MM)	2.320" (58.93MM)	2.221" (56.41MM)	2.560" (65.02MM)
SPRING OUTSIDE DIAMETER	0.730" (18.54MM)	0.728" (18.49MM)	0.730" (18.54MM)	0.730" (18.54MM)
SPRING WIRE DIAMETER	0.090" (2.286MM)	0.082" (2.083MM)	0.090" (2.286MM)	0.094" (2.388MM)
NUMBER OF COILS COLOR OF SPRING	10 PLAIN	10 ORANGE	10 WHITE	11 BLUE
SPACER PLATE ID NUMBER	378			

Figure 9

Copyright © 2010 ATSG



Technical Service Information

5L40E

ACCUMULATOR SPECIFICATIONS & ID

5L40E ACCUMULATOR ASSEMBLY IDENTIFICATION CHART				
2004 CADILLAC				
COMPONENT SPECIFICATIONS	DIRECT CLUTCH ACCUMULATOR HOUSING # 96021042	OVERDRIVE CLUTCH ACCUMULATOR HOUSING # 96022005	INTERMEDIATE CLUTCH ACCUMULATOR HOUSING # 96020762	SECOND CLUTCH ACCUMULATOR HOUSING # 96020762
PISTON SHOULDER DIAMETER	1.654" (42.01MM)	1.654" (42.01MM)	1.654" (42.01MM)	1.654" (42.01MM)
PISTON ACCUM. DIAMETER	1.340" (34.04MM)	1.418" (36.02MM)	1.281" (32.54MM)	1.281" (32.54MM)
SPRING FREE LENGTH	2.220" (56.39MM)	2.318" (58.88MM)	2.310" (58.67MM)	2.385" (60.58MM)
SPRING OUTSIDE DIAMETER	0.730" (18.54MM)	0.726" (18.44MM)	0.727" (18.47MM)	0.733" (18.62MM)
SPRING WIRE DIAMETER	0.090" (2.286MM)	0.080" (2.032MM)	0.082" (2.083MM)	0.094" (2.388MM)
NUMBER OF COILS COLOR OF SPRING	10 GREEN/BLUE	10 ORANGE	10 ORANGE	11 PLAIN
SPACER PLATE ID NUMBER	378			

Figure 10

5L40E ACCUMULATOR ASSEMBLY IDENTIFICATION CHART				
1998 BMW				
COMPONENT SPECIFICATIONS	DIRECT CLUTCH ACCUMULATOR HOUSING # 96021042	OVERDRIVE CLUTCH ACCUMULATOR HOUSING # 96021042	INTERMEDIATE CLUTCH ACCUMULATOR HOUSING # 96021042	SECOND CLUTCH ACCUMULATOR HOUSING # 96020761
PISTON SHOULDER DIAMETER	1.654" (42.01MM)	1.654" (42.01MM)	1.654" (42.01MM)	1.654" (42.01MM)
PISTON ACCUM. DIAMETER	1.340" (34.04MM)	1.340" (34.04MM)	1.340" (34.04MM)	1.173" (29.79MM)
SPRING FREE LENGTH	2.250" (57.15MM)	2.250" (57.15MM)	2.250" (57.15MM)	2.184" (55.47MM)
SPRING OUTSIDE DIAMETER	0.730" (18.54MM)	0.730" (18.54MM)	0.730" (18.54MM)	0.727" (18.47MM)
SPRING WIRE DIAMETER	0.088" (2.235MM)	0.088" (2.235MM)	0.088" (2.235MM)	0.076" (1.930MM)
NUMBER OF COILS COLOR OF SPRING	10 LT. BLUE	10 LT. BLUE	10 LT. BLUE	10 YELLOW
SPACER PLATE ID NUMBER	066			

Figure 11

Copyright © 2010 ATSG



Technical Service Information

5L40E

ACCUMULATOR SPECIFICATIONS & ID

5L40E ACCUMULATOR ASSEMBLY IDENTIFICATION CHART				
1998 BMW				
COMPONENT SPECIFICATIONS	DIRECT CLUTCH ACCUMULATOR HOUSING # 96021042	OVERDRIVE CLUTCH ACCUMULATOR HOUSING # 96021042	INTERMEDIATE CLUTCH ACCUMULATOR HOUSING # 96021042	SECOND CLUTCH ACCUMULATOR HOUSING # 96020762
PISTON SHOULDER DIAMETER	1.654" (42.01MM)	1.654" (42.01MM)	1.654" (42.01MM)	1.654" (42.01MM)
PISTON ACCUM. DIAMETER	1.340" (34.04MM)	1.340" (34.04MM)	1.340" (34.04MM)	1.280" (32.51MM)
SPRING FREE LENGTH	2.250" (57.15MM)	2.250" (57.15MM)	2.250" (57.15MM)	2.250" (57.15MM)
SPRING OUTSIDE DIAMETER	0.735" (18.67MM)	0.735" (18.67MM)	0.735" (18.67MM)	0.735" (18.67MM)
SPRING WIRE DIAMETER	0.090" (2.286MM)	0.090" (2.286MM)	0.090" (2.286MM)	0.090" (2.286MM)
NUMBER OF COILS COLOR OF SPRING	10 LT. GREEN	10 LT. GREEN	10 LT. GREEN	10 LT. GREEN
SPACER PLATE ID NUMBER	008			

Figure 12

5L40E ACCUMULATOR ASSEMBLY IDENTIFICATION CHART				
1998 BMW				
COMPONENT SPECIFICATIONS	DIRECT CLUTCH ACCUMULATOR HOUSING # 96021042	OVERDRIVE CLUTCH ACCUMULATOR HOUSING # 96021042	INTERMEDIATE CLUTCH ACCUMULATOR HOUSING # 96021042	SECOND CLUTCH ACCUMULATOR HOUSING # 96020762
PISTON SHOULDER DIAMETER	1.654" (42.01MM)	1.654" (42.01MM)	1.654" (42.01MM)	1.654" (42.01MM)
PISTON ACCUM. DIAMETER	1.340" (34.04MM)	1.340" (34.04MM)	1.340" (34.04MM)	1.280" (32.51MM)
SPRING FREE LENGTH	2.260" (57.40MM)	2.260" (57.40MM)	2.260" (57.40MM)	2.245" (57.02MM)
SPRING OUTSIDE DIAMETER	0.730" (18.54MM)	0.730" (18.54MM)	0.730" (18.54MM)	0.733" (18.62MM)
SPRING WIRE DIAMETER	0.085" (2.159MM)	0.085" (2.159MM)	0.085" (2.159MM)	0.085" (2.159MM)
NUMBER OF COILS COLOR OF SPRING	10 PLAIN	10 PLAIN	10 PLAIN	10 PLAIN
SPACER PLATE ID NUMBER	008			

Figure 13

Copyright © 2010 ATSG



Technical Service Information

5L40E

ACCUMULATOR SPECIFICATIONS & ID

5L40E ACCUMULATOR ASSEMBLY IDENTIFICATION CHART				
1999 BMW				
COMPONENT SPECIFICATIONS	DIRECT CLUTCH ACCUMULATOR HOUSING # 96021042	OVERDRIVE CLUTCH ACCUMULATOR HOUSING # 96022005	INTERMEDIATE CLUTCH ACCUMULATOR HOUSING # 96021042	SECOND CLUTCH ACCUMULATOR HOUSING # 96020762
PISTON SHOULDER DIAMETER	1.654" (42.01MM)	1.654" (42.01MM)	1.654" (42.01MM)	1.654" (42.01MM)
PISTON ACCUM. DIAMETER	1.340" (34.04MM)	1.418" (36.02MM)	1.340" (34.04MM)	1.280" (32.51MM)
SPRING FREE LENGTH	2.240" (56.90MM)	2.230" (56.64MM)	2.240" (56.90MM)	2.390" (60.71MM)
SPRING OUTSIDE DIAMETER	0.735" (18.67MM)	0.729" (18.52MM)	0.735" (18.67MM)	0.735" (18.67MM)
SPRING WIRE DIAMETER	0.090" (2.286MM)	0.080" (2.032MM)	0.090" (2.286MM)	0.093" (2.362MM)
NUMBER OF COILS COLOR OF SPRING	10 WHITE	10 YELLOW	10 WHITE	11 PLAIN
SPACER PLATE ID NUMBER	789			

Figure 14

5L40E ACCUMULATOR ASSEMBLY IDENTIFICATION CHART				
1999 BMW				
COMPONENT SPECIFICATIONS	DIRECT CLUTCH ACCUMULATOR HOUSING # 96022005	OVERDRIVE CLUTCH ACCUMULATOR HOUSING # 96021042	INTERMEDIATE CLUTCH ACCUMULATOR HOUSING # 96020762	SECOND CLUTCH ACCUMULATOR HOUSING # 96021042
PISTON SHOULDER DIAMETER	1.654" (42.01MM)	1.654" (42.01MM)	1.654" (42.01MM)	1.654" (42.01MM)
PISTON ACCUM. DIAMETER	1.418" (36.02MM)	1.340" (34.04MM)	1.340" (34.04MM)	1.280" (32.51MM)
SPRING FREE LENGTH	2.220" (56.39MM)	2.250" (57.15MM)	2.250" (57.15MM)	2.390" (60.71MM)
SPRING OUTSIDE DIAMETER	0.735" (18.67MM)	0.733" (18.62MM)	0.735" (18.67MM)	0.735" (18.67MM)
SPRING WIRE DIAMETER	0.080" (2.032MM)	0.090" (2.286MM)	0.090" (2.286MM)	0.093" (2.362MM)
NUMBER OF COILS COLOR OF SPRING	10 YELLOW	10 LT. GREEN	10 LT. GREEN	11 PLAIN
SPACER PLATE ID NUMBER	789			

Figure 15

Copyright © 2010 ATSG



Technical Service Information

5L40E

ACCUMULATOR SPECIFICATIONS & ID

5L40E ACCUMULATOR ASSEMBLY IDENTIFICATION CHART				
1999 BMW				
COMPONENT SPECIFICATIONS	DIRECT CLUTCH ACCUMULATOR HOUSING # 96022005	OVERDRIVE CLUTCH ACCUMULATOR HOUSING # 96021042	INTERMEDIATE CLUTCH ACCUMULATOR HOUSING # 96020762	SECOND CLUTCH ACCUMULATOR HOUSING # 96021042
PISTON SHOULDER DIAMETER	1.654" (42.01MM)	1.654" (42.01MM)	1.654" (42.01MM)	1.654" (42.01MM)
PISTON ACCUM. DIAMETER	1.418" (36.02MM)	1.340" (34.04MM)	1.280" (32.51MM)	1.340" (34.04MM)
SPRING FREE LENGTH	2.215" (56.26MM)	2.235" (56.77MM)	2.245" (57.02MM)	2.395" (60.83MM)
SPRING OUTSIDE DIAMETER	0.730" (18.54MM)	0.734" (18.64MM)	0.734" (18.64MM)	0.734" (18.64MM)
SPRING WIRE DIAMETER	0.078" (1.981MM)	0.090" (2.286MM)	0.090" (2.286MM)	0.090" (2.286MM)
NUMBER OF COILS COLOR OF SPRING	10 YELLOW	10 LT. BLUE	10 LT. BLUE	11 PLAIN
SPACER PLATE ID NUMBER	789			

Figure 16

5L40E ACCUMULATOR ASSEMBLY IDENTIFICATION CHART				
2000 BMW				
COMPONENT SPECIFICATIONS	DIRECT CLUTCH ACCUMULATOR HOUSING # 96022005	OVERDRIVE CLUTCH ACCUMULATOR HOUSING # 96022005	INTERMEDIATE CLUTCH ACCUMULATOR HOUSING # 96021042	SECOND CLUTCH ACCUMULATOR HOUSING # 96020762
PISTON SHOULDER DIAMETER	1.654" (42.01MM)	1.654" (42.01MM)	1.654" (42.01MM)	1.654" (42.01MM)
PISTON ACCUM. DIAMETER	1.418" (36.02MM)	1.418" (36.02MM)	1.340" (34.04MM)	1.280" (32.51MM)
SPRING FREE LENGTH	2.330" (59.18MM)	2.330" (59.18MM)	2.245" (57.02MM)	2.410" (61.21MM)
SPRING OUTSIDE DIAMETER	0.735" (18.67MM)	0.735" (18.67MM)	0.735" (18.67MM)	0.735" (18.67MM)
SPRING WIRE DIAMETER	0.080" (2.032MM)	0.080" (2.032MM)	0.088" (2.235MM)	0.091" (2.311MM)
NUMBER OF COILS COLOR OF SPRING	10 ORANGE	10 ORANGE	10 LT. BLUE	10.5 PLAIN
SPACER PLATE ID NUMBER	801			

Figure 17

Copyright © 2010 ATSG



Technical Service Information

5L40E

ACCUMULATOR SPECIFICATIONS & ID

5L40E ACCUMULATOR ASSEMBLY IDENTIFICATION CHART				
2002 BMW				
COMPONENT SPECIFICATIONS	DIRECT CLUTCH ACCUMULATOR HOUSING # 96022005	OVERDRIVE CLUTCH ACCUMULATOR HOUSING # 96022005	INTERMEDIATE CLUTCH ACCUMULATOR HOUSING # 96020762	SECOND CLUTCH ACCUMULATOR HOUSING # 96020762
PISTON SHOULDER DIAMETER	1.654" (42.01MM)	1.654" (42.01MM)	1.654" (42.01MM)	1.654" (42.01MM)
PISTON ACCUM. DIAMETER	1.418" (36.02MM)	1.418" (36.02MM)	1.280" (32.51MM)	1.280" (32.51MM)
SPRING FREE LENGTH	2.330" (59.18MM)	2.330" (59.18MM)	2.370" (60.20MM)	2.370" (60.20MM)
SPRING OUTSIDE DIAMETER	0.732" (18.59MM)	0.732" (18.59MM)	0.730" (18.54MM)	0.730" (18.54MM)
SPRING WIRE DIAMETER	0.080" (2.032MM)	0.080" (2.032MM)	0.090" (2.286MM)	0.090" (2.286MM)
NUMBER OF COILS COLOR OF SPRING	10 ORANGE	10 ORANGE	11 PLAIN	11 PLAIN
SPACER PLATE ID NUMBER	275			

Figure 18

5L40E ACCUMULATOR ASSEMBLY IDENTIFICATION CHART				
2003 BMW				
COMPONENT SPECIFICATIONS	DIRECT CLUTCH ACCUMULATOR HOUSING # 96021042	OVERDRIVE CLUTCH ACCUMULATOR HOUSING # 96022005	INTERMEDIATE CLUTCH ACCUMULATOR HOUSING # 96021042	SECOND CLUTCH ACCUMULATOR HOUSING # 96020761
PISTON SHOULDER DIAMETER	1.654" (42.01MM)	1.654" (42.01MM)	1.654" (42.01MM)	1.654" (42.01MM)
PISTON ACCUM. DIAMETER	1.340" (34.04MM)	1.418" (36.02MM)	1.340" (34.04MM)	1.173" (29.79MM)
SPRING FREE LENGTH	2.221" (56.41MM)	2.340" (59.44MM)	2.230" (56.64MM)	2.580" (65.32MM)
SPRING OUTSIDE DIAMETER	0.735" (18.67MM)	0.725" (18.42MM)	0.735" (18.67MM)	0.730" (18.54MM)
SPRING WIRE DIAMETER	0.090" (2.286MM)	0.082" (2.083MM)	0.090" (2.286MM)	0.093" (2.362MM)
NUMBER OF COILS COLOR OF SPRING	10 PLAIN	10 ORANGE	10 PLAIN	10 LT BLUE
SPACER PLATE ID NUMBER	378			

Figure 19

Copyright © 2010 ATSG



Technical Service Information

5L40E

ACCUMULATOR SPECIFICATIONS & ID

5L40E ACCUMULATOR ASSEMBLY IDENTIFICATION CHART				
2004 BMW				
COMPONENT SPECIFICATIONS	DIRECT CLUTCH ACCUMULATOR HOUSING # 96021042	OVERDRIVE CLUTCH ACCUMULATOR HOUSING # 96022005	INTERMEDIATE CLUTCH ACCUMULATOR HOUSING # 96021042	SECOND CLUTCH ACCUMULATOR HOUSING # 96020761
PISTON SHOULDER DIAMETER	1.654" (42.01MM)	1.654" (42.01MM)	1.654" (42.01MM)	1.654" (42.01MM)
PISTON ACCUM. DIAMETER	1.340" (34.04MM)	1.418" (36.02MM)	1.340" (34.04MM)	1.173" (29.79MM)
SPRING FREE LENGTH	2.225" (56.52MM)	2.340" (59.44MM)	2.225" (56.52MM)	2.565" (65.15MM)
SPRING OUTSIDE DIAMETER	0.730" (18.54MM)	0.725" (18.42MM)	0.730" (18.54MM)	0.730" (18.54MM)
SPRING WIRE DIAMETER	0.090" (2.286MM)	0.082" (2.083MM)	0.090" (2.286MM)	0.093" (2.362MM)
NUMBER OF COILS COLOR OF SPRING	10 LT. BLUE	10 ORANGE	10 LT. BLUE	10.5 LT. BLUE
SPACER PLATE ID NUMBER	378			

Figure 20

5L40E ACCUMULATOR ASSEMBLY IDENTIFICATION CHART				
2004 BMW				
COMPONENT SPECIFICATIONS	DIRECT CLUTCH ACCUMULATOR HOUSING # 96022005	OVERDRIVE CLUTCH ACCUMULATOR HOUSING # 96021042	INTERMEDIATE CLUTCH ACCUMULATOR HOUSING # 96021042	SECOND CLUTCH ACCUMULATOR HOUSING # 96020762
PISTON SHOULDER DIAMETER	1.654" (42.01MM)	1.654" (42.01MM)	1.654" (42.01MM)	1.654" (42.01MM)
PISTON ACCUM. DIAMETER	1.418" (36.02MM)	1.340" (34.04MM)	1.340" (34.04MM)	1.280" (32.51MM)
SPRING FREE LENGTH	2.221" (56.41MM)	2.240" (56.90MM)	2.235" (56.77MM)	2.390" (60.71MM)
SPRING OUTSIDE DIAMETER	0.730" (18.54MM)	0.730" (18.54MM)	0.730" (18.54MM)	0.735" (18.67MM)
SPRING WIRE DIAMETER	0.077" (1.956MM)	0.086" (2.184MM)	0.088" (2.235MM)	0.090" (2.286MM)
NUMBER OF COILS COLOR OF SPRING	10 YELLOW	10 BLUE	10 GREEN	10.5 PLAIN
SPACER PLATE ID NUMBER	789			

Figure 21

Copyright © 2010 ATSG



Technical Service Information

5L40E

ACCUMULATOR SPECIFICATIONS & ID

5L40E ACCUMULATOR ASSEMBLY IDENTIFICATION CHART				
2005 BMW				
COMPONENT SPECIFICATIONS	DIRECT CLUTCH ACCUMULATOR HOUSING # 96021042	OVERDRIVE CLUTCH ACCUMULATOR HOUSING # 96022005	INTERMEDIATE CLUTCH ACCUMULATOR HOUSING # 96021042	SECOND CLUTCH ACCUMULATOR HOUSING # 96020762
PISTON SHOULDER DIAMETER	1.654" (42.01MM)	1.654" (42.01MM)	1.654" (42.01MM)	1.654" (42.01MM)
PISTON ACCUM. DIAMETER	1.340" (34.04MM)	1.418" (36.02MM)	1.340" (34.04MM)	1.173" (29.79MM)
SPRING FREE LENGTH	2.235" (56.77MM)	2.350" (59.69MM)	2.235" (56.77MM)	2.580" (65.53MM)
SPRING OUTSIDE DIAMETER	0.725" (18.42MM)	0.725" (18.42MM)	0.725" (18.42MM)	0.730" (18.54MM)
SPRING WIRE DIAMETER	0.090" (2.286MM)	0.082" (2.083MM)	0.090" (2.286MM)	0.093" (2.362MM)
NUMBER OF COILS COLOR OF SPRING	10 LT. GREEN	10 ORANGE	10 LT. GREEN	10.5 LT. BLUE
SPACER PLATE ID NUMBER	378			

Figure 22

Copyright © 2010 ATSG